
ZSA2A2G10A (ORDER NO. 055407)

ZSA, 3-stage with cable

- ▶ Housing G1
- ▶ 3-stage function
- ▶ Straight connecting cable, 10 m



Description

Switching element

210 2 NO + 1 NC (→)

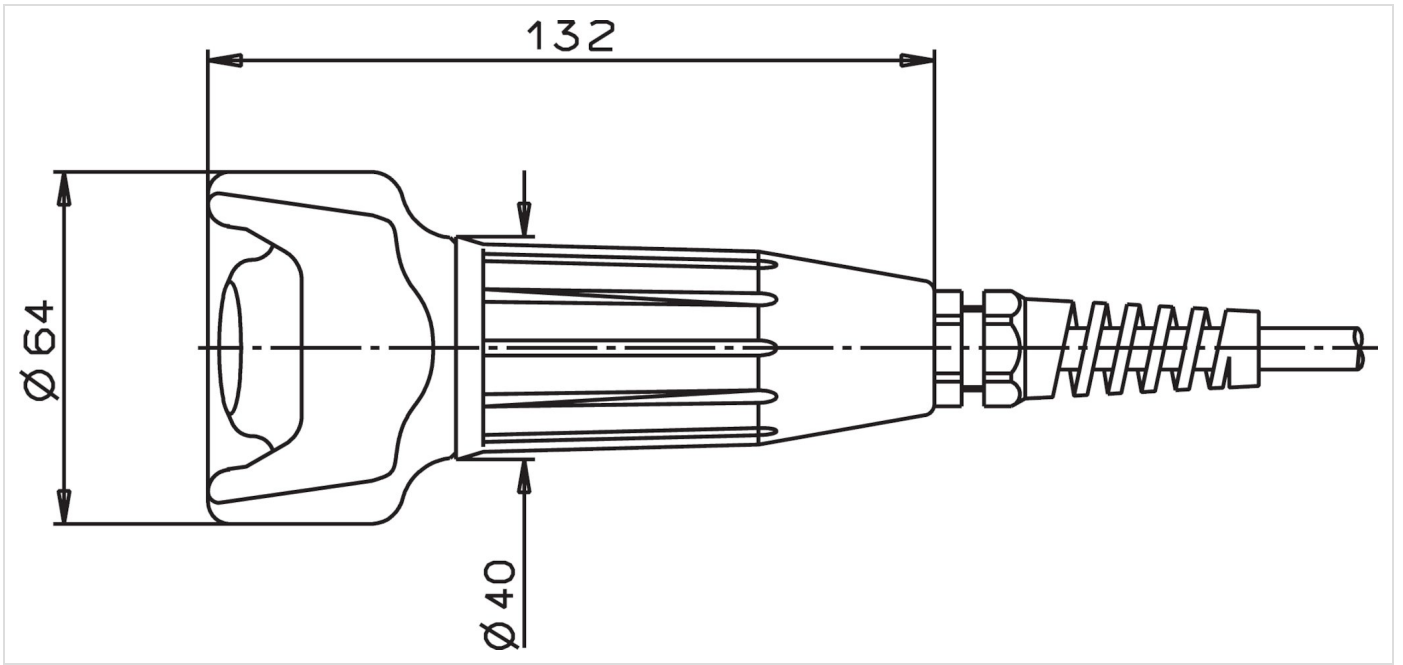
Cable

The high-quality connecting cables (individual screening of the safety contacts) are available in a straight version.

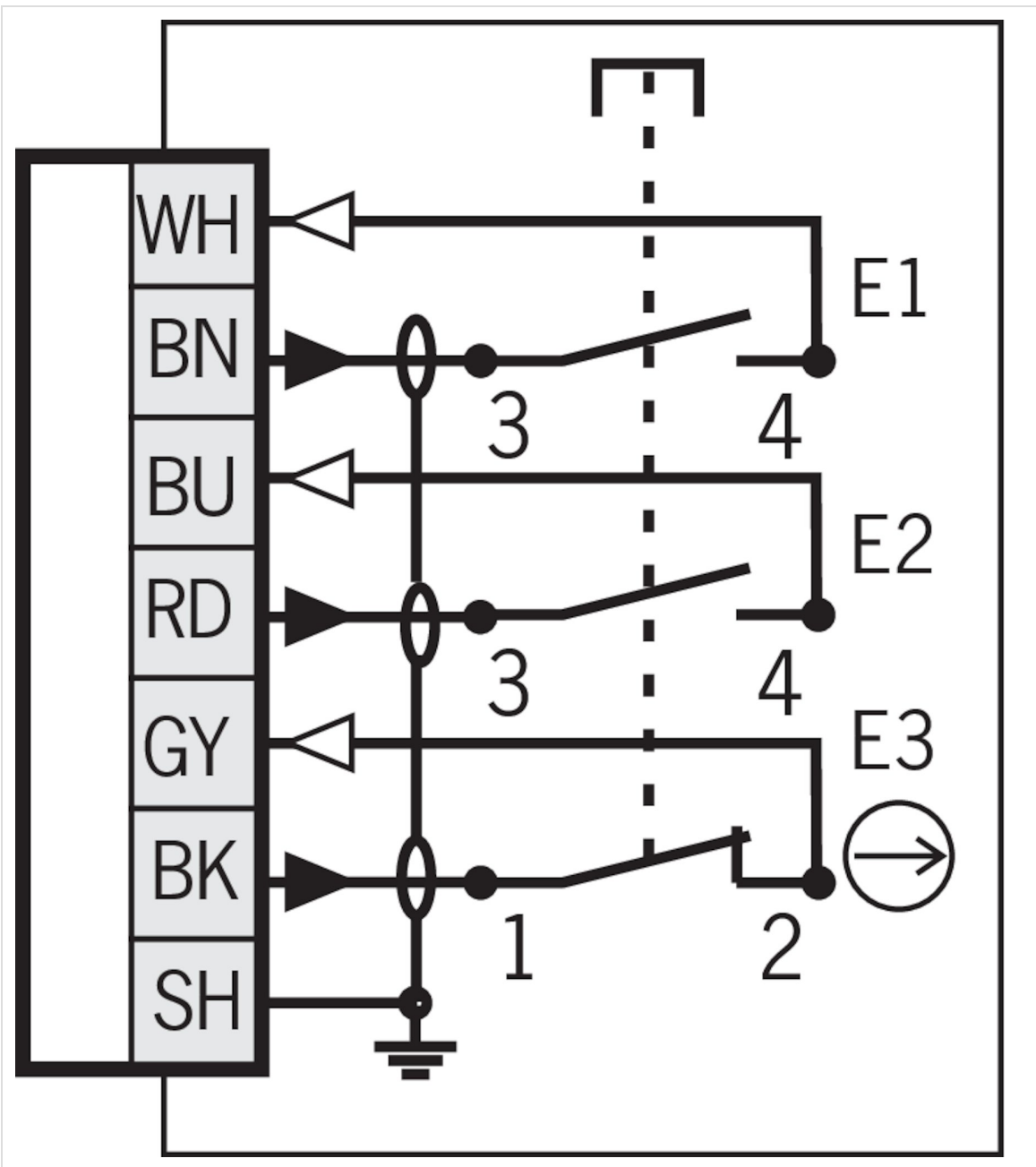
3-stage function

Enabling function is active only in the second stage (middle position, actuating point). If the pushbutton is released or pushed further (panic function), the enabling is removed (dependent on the wiring, see function sequence).

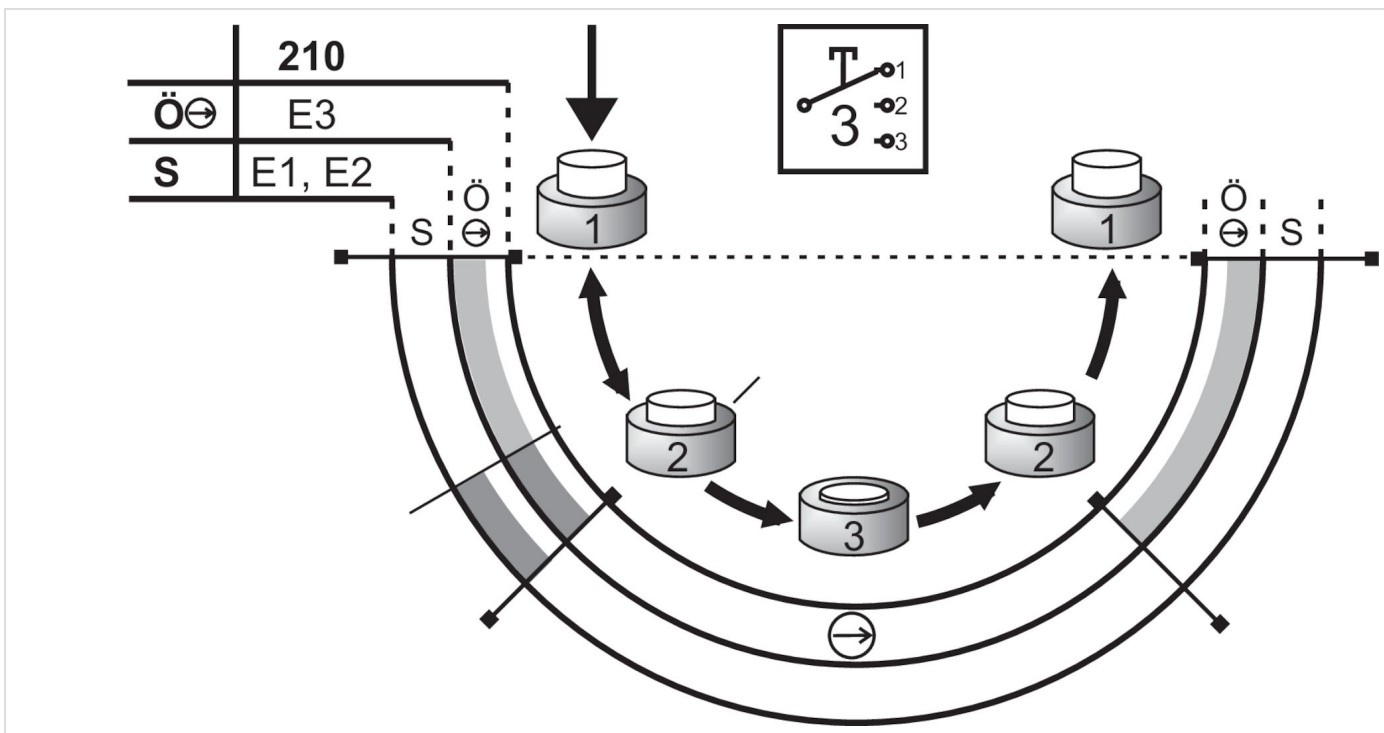
Dimension drawing



210



Travel diagram



- open
- closed
- closed, enabling

Technical data

Approvals



Mechanical values and environment

Material	Plastic
Weight	
	Net 2,5 kg
Ambient temperature	-5 ... 50 °C
Degree of protection	IP67
Mechanical life	
	Position 1-2-1 0,1 x 10 ⁶
	Position 1-2-3-1 0,1 x 10 ⁶
Switching principle	Slow-action contact element
Number of positively driven contacts	1
Number of NO contacts	2
Connection	Flying lead
Cable length	
	straight 10 m

Electrical connection ratings

Rated conditional short-circuit current	100 A
Utilization category acc. to EN 60947-5-1	
	AC-15 2A 230V
	DC-13 2A 24V
Short circuit protection according to IEC 60269-1	2A gG (In case of operating voltages other than 24 V, the short circuit protection must be dimensioned accordingly and checked.)
Rated insulation voltage U_i	250 V
Rated impulse withstand voltage U_{imp}	2,5 kV
Switching voltage	
	Min. at 10mA 12 V
Switching current	
	Min. at 24V 1 mA
Degree of contamination (external, according to EN 60947-1)	3
Connecting cable	6x0.34mm ² (3x0.34mm ² screened + 3x0.34mm ² unscreened)
Switching characteristics	3-stage enabling switch

Other

In compliance with	60947-5-8
--------------------	-----------

Reliability values according to EN ISO 13849-1

	Enabling switch
B10 _D	0,5 x 10 ⁶

Accessories

Mounting accessories

Magnetic holder for hand-held enabling switches



059340
MAGNETHALTERUNG
ZUSTIMMTASTER

- ▶ The enabling switches can be attached at any time to any part of the machine due to the magnets fastened to the holder. In this way the enabling switch can be positioned in the activity area as necessary.

Screw holder for hand-held enabling switches

052406
HALTER KPL.


- ▶ The holder can be securely fastened to parts of the machine with a wall thickness of max. 15 mm using two screws.


Screw holder with cable hook for hand-held enabling switches


047820
LEITUNGSHALTER


- ▶ The holder with an additional cable hook for hanging a wound-up cable. It can be securely fastened to parts of the machine with a wall thickness of max. 15 mm using two screws.

Contacts

 EUCHNER GmbH + Co. KG
Kohlhammerstraße 16
70771 Leinfelden-Echterdingen

 +49 711 7597-0

 +49 711 753316

 [info\(at\)euchner.de](mailto:info(at)euchner.de)